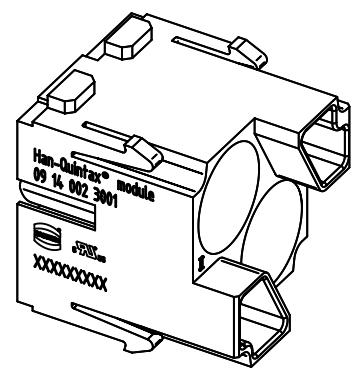
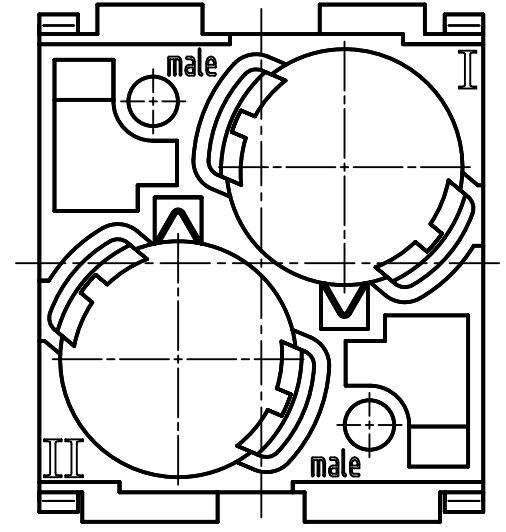
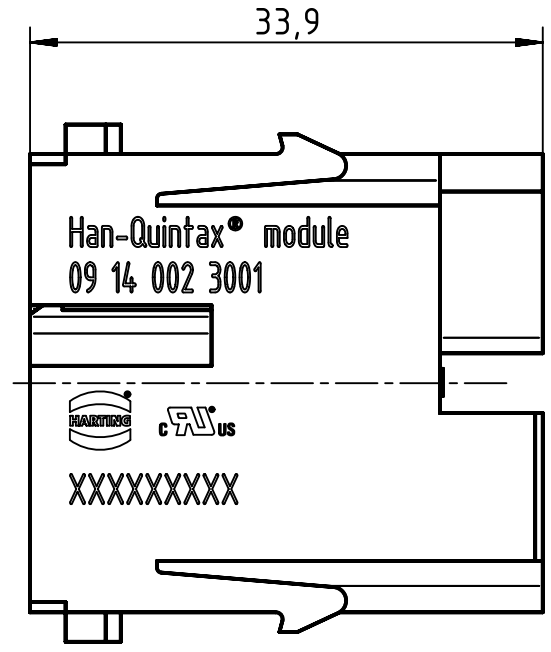
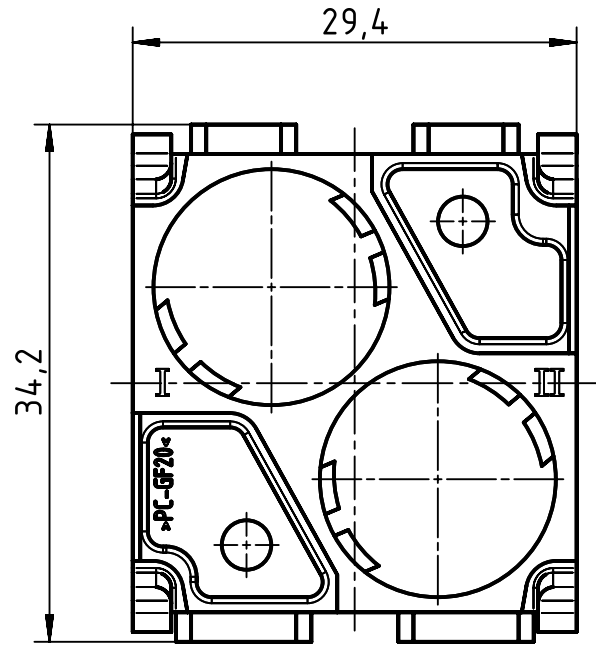


A

B

C

D



	All Dimensions in mm Original Size DIN A4		Scale 2:1	Free size tol.		Ref.	
						Sub.	
	All rights reserved		Created by HELLMANN	Inspected by NICHTERLEIN	Standardisation TIEMANNA	Date 2017-01-27	State Final Release
	Department EL PD		Title Han-Quintax module, male			Doc-Key / ECM-Nr. 100184373/UGD/009/C 500000114399	
HARTING Electric GmbH & Co. KG D-32339 Espelkamp			Type TB	Number 09 14 002 3001		Rev. C	Page 1/1